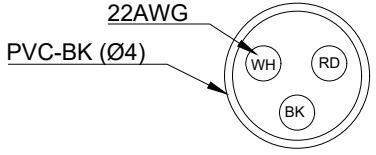
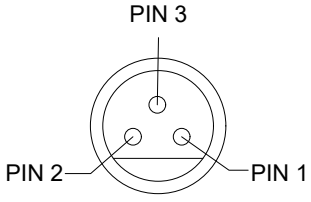


Revision Notes				
R1-				
APA: -	Drawn:-	Checked:-	Approved:-	Date: 07.02.20

**SECTION A:A**



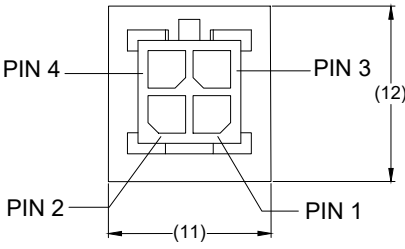
**VIEW A**



**3 PIN MALE MATING FACE**

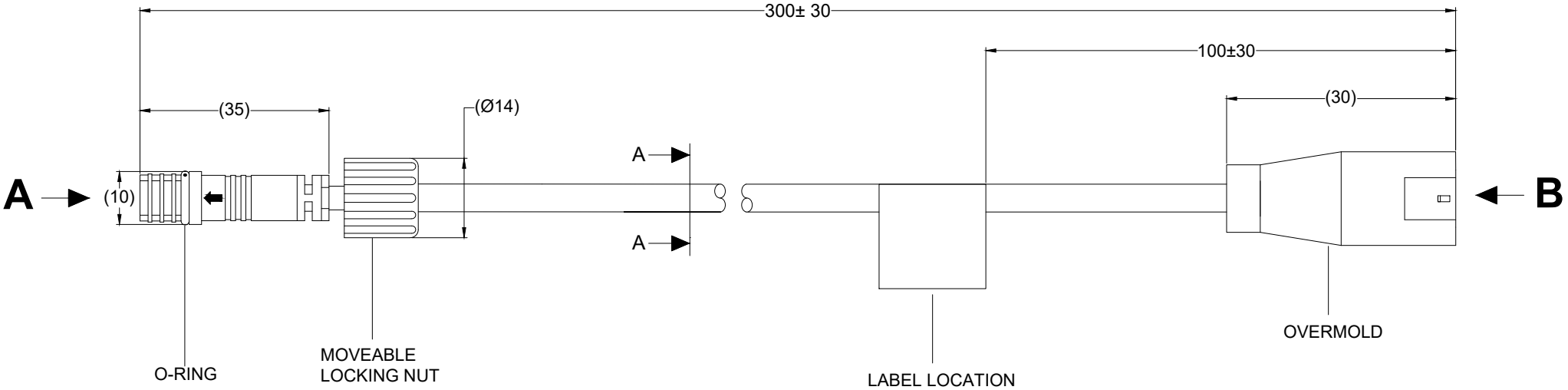
PIN #	WIRE COLOUR
1	BLACK
2	RED
3	WHITE

**VIEW B**



**4 PIN FEMALE MATING FACE (MOLEX, 43020-0401)**

PIN #	WIRE COLOUR
1	RED
2	WHITE
3	BLACK
4	NOT CONNECTED



- NOTES:**
- INTERNAL CABLES SHOULD BE ONE CONTINUOUS LENGTH BETWEEN CONNECTORS.
  - FOR PRODUCT LABEL AND PACKAGING DETAILS REFER TO MASTER BOM.

**PROPRIETARY NOTICE**  
 THIS DESIGN AND TECHNICAL INFORMATION APPEARING ON THIS DRAWING IS THE PROPERTY OF BRIGADE ELECTRONICS, AND IS DISCLOSED IN CONFIDENCE. IT IS NOT TO BE COPIED, REPRODUCED, REVEALED TO OR EXPROPRIATED BY OTHERS, EITHER IN WHOLE OR IN PART WITHOUT THE EXPRESS WRITTEN CONSENT OF BRIGADE ELECTRONICS.



Assembly Pl Approval A. YAO	Approved by B. CHILDS	Checked by S. GOVENDER	Drawn by F. ADEMUJIMI
	Units mm	Scale N/A	Released 25/08/20
	Status RELEASED	Assembly Ref SSP-0.3-AC1	
	Part No 6066	BE-004295-00-20	